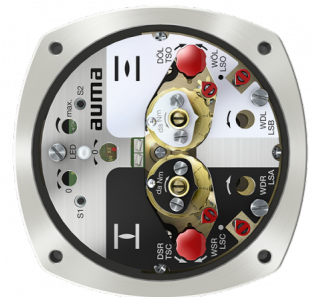
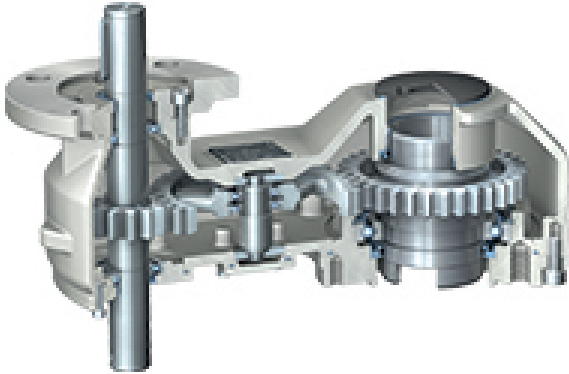
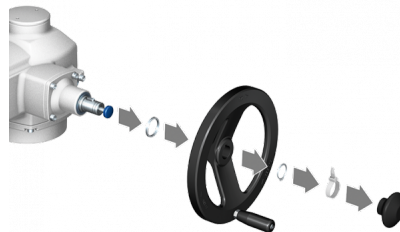
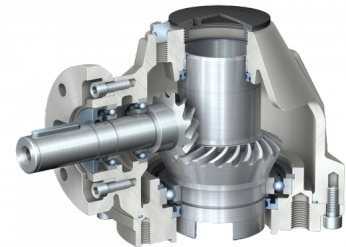
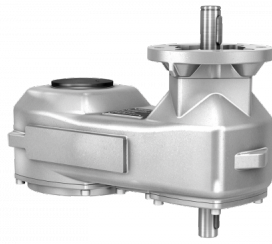


## AUMA GEARBOXES AND ACCESSORIES

SKU: GEARBOXES

1





## PRODUCT DESCRIPTION

AUMA GEARBOX: These are a good solution for horizontal manual operation and when torques needs to be reduced or a rising-spindle is involved.

Freedrain is dealer of AUMA electrical actuators. We are in close contact with Auma and we will advise which type of gearbox will suit the best for your project.

1

